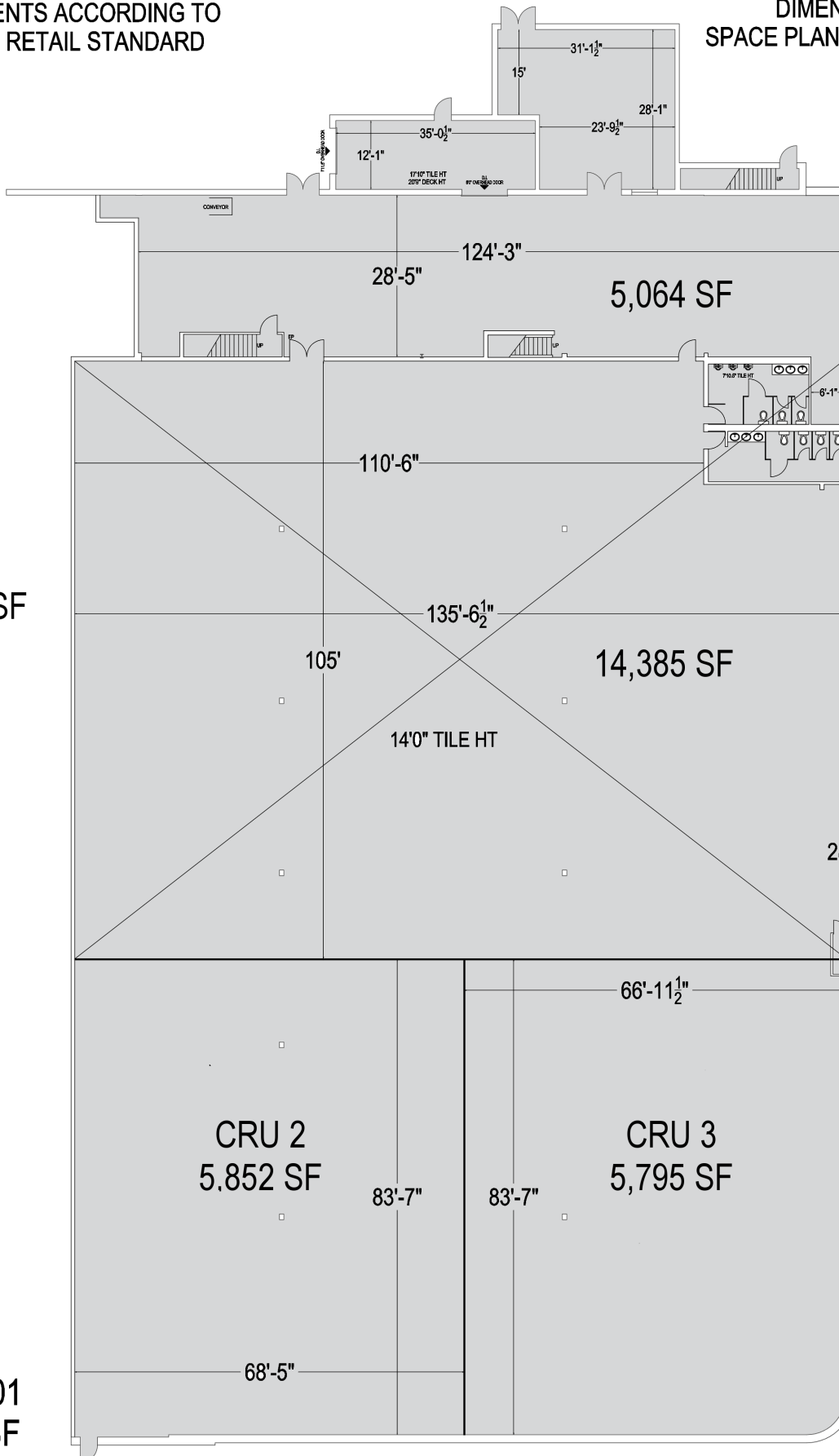


MEASUREMENTS ACCORDING TO
BOMA 2010 RETAIL STANDARD



DIMENSIONS ARE FOR
SPACE PLANNING PURPOSES ONLY

CRU 1
19,449 SF



UNIT Z-01
31,096 SF

14'0" TILE HT
18'0" JOIST HT
20'9.5" DECK HT

<p>PREPARED BY:</p>  <p>measurex.ca</p>	<p>LOCATION:</p> <p>ELGIN CENTRE - Z-01 417 WELLINGTON STREET ST. THOMAS, ONTARIO</p>		<p>PREPARED FOR:</p> <p>ELGIN CENTRE</p> <p>DATE:</p> <p>MARCH 28, 2019</p> <p>FILE:</p> <p>ELGINMALL.dwg</p> <p>SCALE:</p> <p>NTS</p>
--	---	---	--